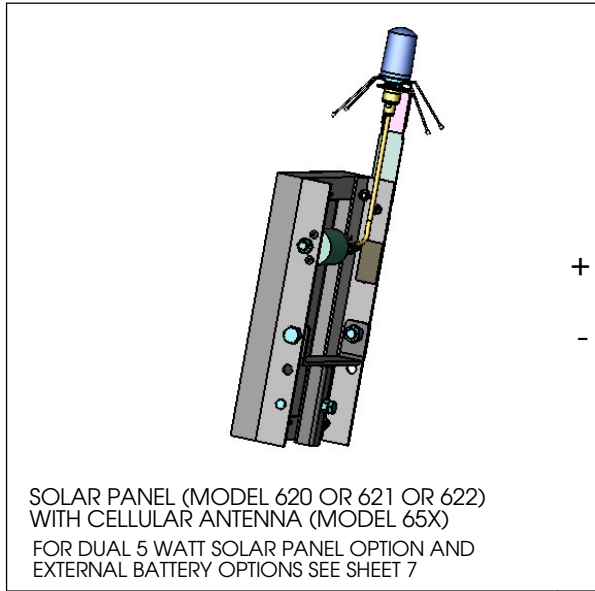


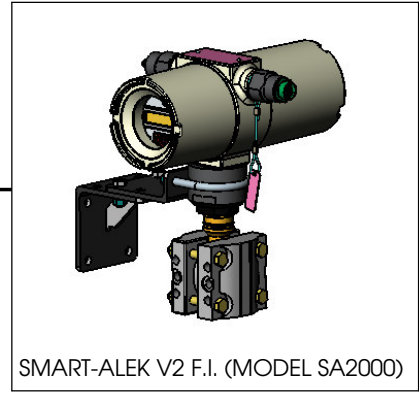
8 7 6 5 4 3 2 1

CLASS I, DIV 2, Groups C & D

CLASS I, DIV 1, Groups C & D



SOLAR PANEL (MODEL 620 OR 621 OR 622)
WITH CELLULAR ANTENNA (MODEL 65X)
FOR DUAL 5 WATT SOLAR PANEL OPTION AND
EXTERNAL BATTERY OPTIONS SEE SHEET 7



SMART-ALEK V2 F.I. (MODEL SA2000)



RTD (MODEL 610 OR 612)

SIZE
B

PROPRIETARY AND CONFIDENTIAL

This document contains proprietary information.
Disclosure in whole or part is strictly prohibited
without prior written consent from Zedi Inc.

Title: SMART-ALEK V2 F.I. INSTALLATION	
Desc: APPROVED HAZARDOUS LOCATION CONFIGURATIONS	
Number: 12397	REV 12
 EDMONTON, CANADA	
Class MD	Type SW

NOTES:

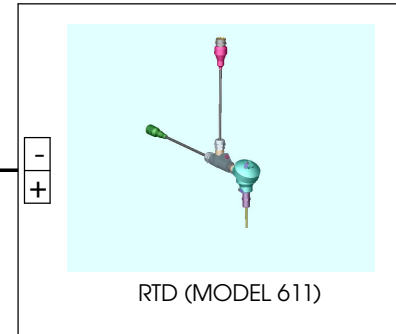
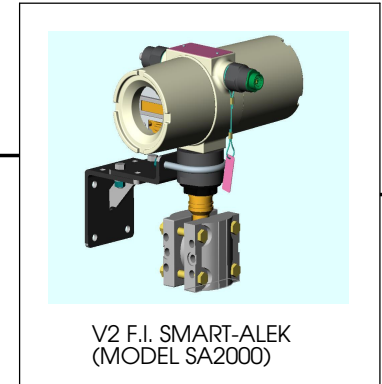
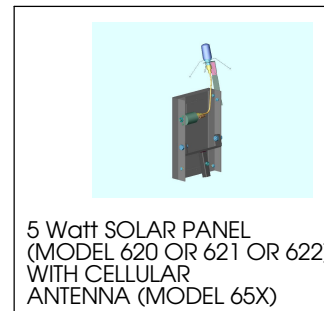
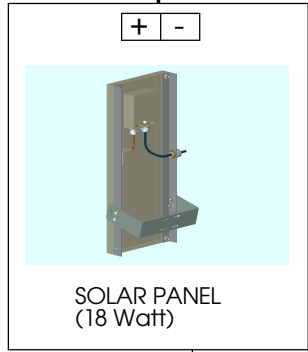
1. CSA APPROVAL MUST BE OBTAINED PRIOR TO DRAWING CHANGE WHICH IS NOTED IN THE COMMENTS FIELD OF THE DRAWING TITLE BLOCK.

REV	Drawn by	Approved By	Date	Comments
7	I.LAKHANI	B.ZERB	2003-11-24	UPDATE PICTURES ON PAGES 7, 8 & 9
8	I.LAKHANI	I.LAKHANI	2005-03-03	ADD MODEL 621 SOLAR PANEL
9	I.LAKHANI	I.LAKHANI	2005-05-11	ADD MODEL 641 BARRIER ASSEMBLY
10	I.LAKHANI	I.LAKHANI	2005-07-05	ADD MODEL 622 SOLAR PANEL
11	EILEEN	LONG ZHAO	2005-09-01	ADD NuFlo MCIII EXP
12	J. DUAN	L. ZHAO	2007-02-13	ADD SENSOR MODEL 661

8 7 6 5 4 3 2 1

SAFE AREA

CLASS I, DIV 2, Groups C & D



NOTES:

1. CSA APPROVAL MUST BE OBTAINED PRIOR TO DRAWING CHANGE WHICH IS NOTED IN THE COMMENTS FIELD OF THE DRAWING TITLE BLOCK.

PROPRIETARY AND CONFIDENTIAL

This document contains proprietary information. Disclosure in whole or part is strictly prohibited without prior written consent from Zedi Inc.

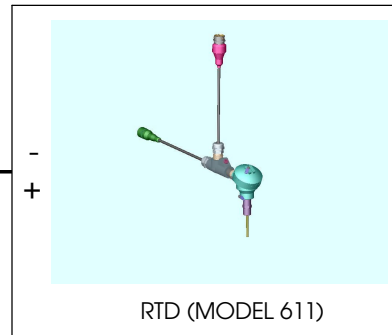
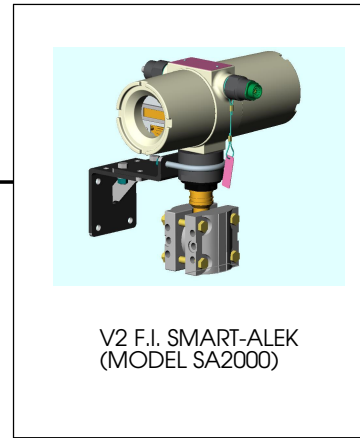
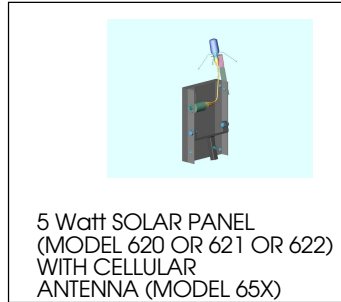
Title: SMART-ALEK V2 F.I. INSTALLATION		REV 12
Desc: APPROVED HAZARDOUS LOCATION CONFIGURATIONS		Number: 12397
 EDMONTON, CANADA		Class MD Type SW SHEET 2 OF 13

REV	Drawn by	Approved By	Date	Comments
7	I.LAKHANI	B.ZERB	2003-11-24	UPDATE PICTURES ON PAGES 7, 8 & 9
8	I.LAKHANI	I.LAKHANI	2005-03-03	ADD MODEL 621 SOLAR PANEL
9	I.LAKHANI	I.LAKHANI	2005-05-11	ADD MODEL 641 BARRIER ASSEMBLY
10	I.LAKHANI	I.LAKHANI	2005-07-05	ADD MODEL 622 SOLAR PANEL
11	EILEEN	LONG ZHAO	2005-09-01	ADD NuFlo MCIII EXP
12	J. DUAN	L. ZHAO	2007-02-13	ADD SENSOR MODEL 661

SIZE
B

A

CLASS I, DIV 2, Groups C & D



WARNING: Do not recharge MODEL 110 battery pack unless the area is known to be non-hazardous.

NOTES:

1. CSA APPROVAL MUST BE OBTAINED PRIOR TO DRAWING CHANGE WHICH IS NOTED IN THE COMMENTS FIELD OF THE DRAWING TITLE BLOCK.

PROPRIETARY AND CONFIDENTIAL

This document contains proprietary information. Disclosure in whole or part is strictly prohibited without prior written consent from Zedi Inc.

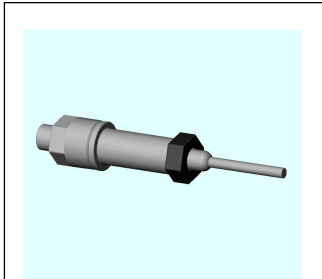
REV	Drawn by	Approved By	Date	Comments
7	ILAKHANI	B.ZERB	2003-11-24	UPDATE PICTURES ON PAGES 7, 8 & 9
8	ILAKHANI	ILAKHANI	2005-03-03	ADD MODEL 621 SOLAR PANEL
9	ILAKHANI	ILAKHANI	2005-05-11	ADD MODEL 641 BARRIER ASSEMBLY
10	ILAKHANI	ILAKHANI	2005-07-05	ADD MODEL 622 SOLAR PANEL
11	EILEEN	LONG ZHAO	2005-09-01	ADD NuFlo MCIII EXP
12	J. DUAN	L. ZHAO	2007-02-13	ADD SENSOR MODEL 661

Title: SMART-ALEK V2 F.I. INSTALLATION		Number: 12397	REV 12
Desc: APPROVED HAZARDOUS LOCATION CONFIGURATIONS			
		Class MD	Type SW
EDMONTON, CANADA		SHEET 3 OF 13	

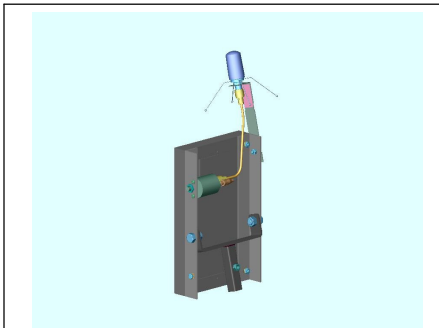
SIZE
B

CLASS I, DIV 2, Groups C & D

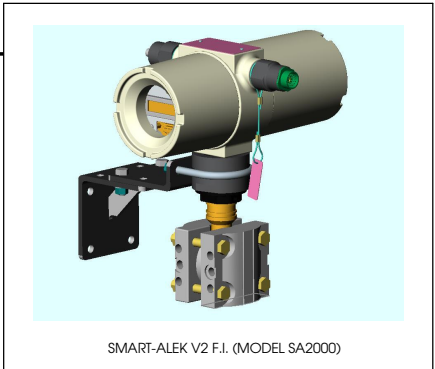
CLASS I, DIV 1, Groups C & D



INTRINSICALLY SAFE
RS 485 PRESSURE SENSOR
MODEL 660



SOLAR PANEL (MODEL 620 OR 621 OR 622)
WITH CELLULAR ANTENNA (MODEL 65X)
FOR DUAL 5 WATT SOLAR PANEL OPTION AND
EXTERNAL BATTERY OPTIONS SEE SHEET 7



SMART-ALEK V2 F.I. (MODEL SA2000)

Output Entity Parameters:

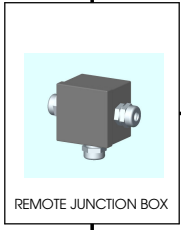
$V_{max} = 12V$
 $I_{max} = 1A$
 $C_i = 0\mu F$
 $L_i = 0\mu H$

RS485

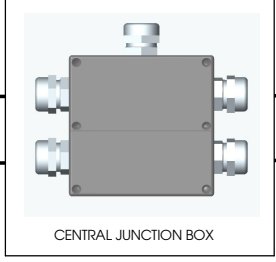
$V_{oc} = 18.5V$
 $I_{sc} = 174mA$
 $C_a = 280nF$
 $L_a = 250\mu H$

Pulse / Contact

$V_{oc} = 18.5V$
 $I_{sc} = 21mA$
 $C_a = 280nF$
 $L_a = 250\mu H$



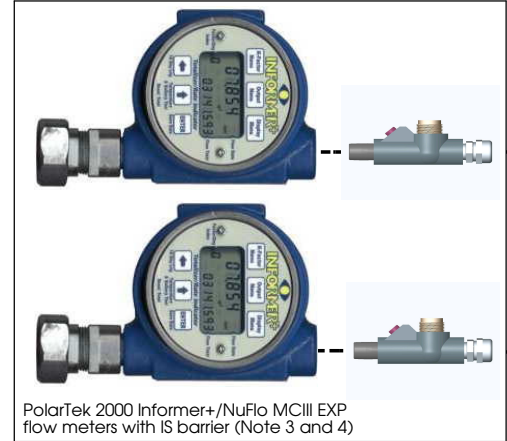
REMOTE JUNCTION BOX



CENTRAL JUNCTION BOX



RTD (MODEL 610 OR 612)



PolarTek 2000 Informer+/NuFlo MCIII EXP
flow meters with IS barrier (Note 3 and 4)

- NOTES:
1. CSA APPROVAL MUST BE OBTAINED PRIOR TO DRAWING CHANGE WHICH IS NOTED IN THE COMMENTS FIELD OF THE DRAWING TITLE BLOCK.
 2. TYPICAL INSTALLATION WOULD HAVE ONE TO FOUR SENSORS.
 3. FOR INFORMER+ IS CIRCUIT INFORMATION REFER TO POLARTEK DRAWING PT-XPIS-01.
 4. FOR MCIII EXP IS CIRCUIT INFORMATION REFER TO NUFLO DRAWING 50053010.

REV	Drawn by	Approved By	Date	Comments
7	ILAKHANI	B.ZERB	2003-11-24	UPDATE PICTURES ON PAGES 7, 8 & 9
8	ILAKHANI	ILAKHANI	2005-03-03	ADD MODEL 621 SOLAR PANEL
9	ILAKHANI	ILAKHANI	2005-05-11	ADD MODEL 641 BARRIER ASSEMBLY
10	ILAKHANI	ILAKHANI	2005-07-05	ADD MODEL 622 SOLAR PANEL
11	EILEEN	LONG ZHAO	2005-09-01	ADD NuFlo MCIII EXP
12	J. DUAN	L. ZHAO	2007-02-13	ADD SENSOR MODEL 661

PROPRIETARY AND CONFIDENTIAL
This document contains proprietary information. Disclosure in whole or part is strictly prohibited without prior written consent from Zedi Inc.

Title:
SMART-ALEK V2 F.I. INSTALLATION

Desc:
APPROVED HAZARDOUS LOCATION CONFIGURATIONS

zedi
EDMONTON, CANADA

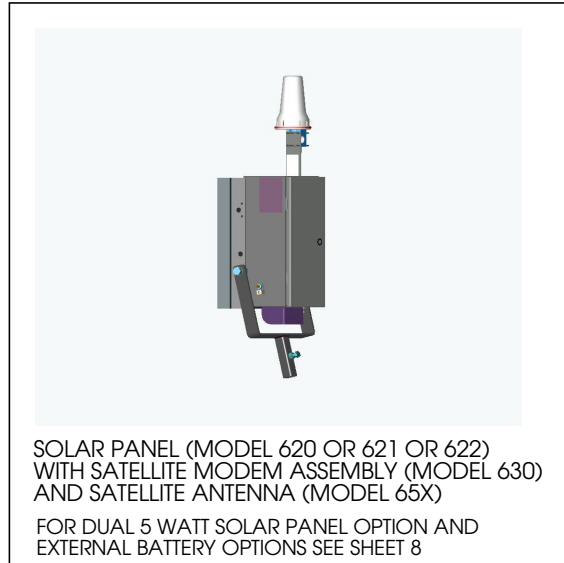
Number:
12397

REV
12

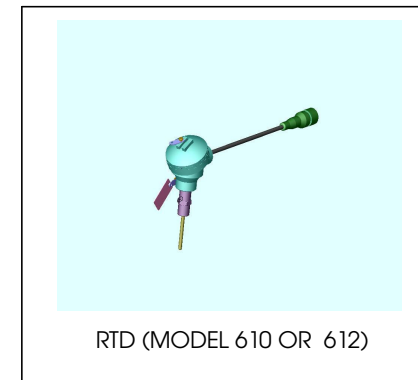
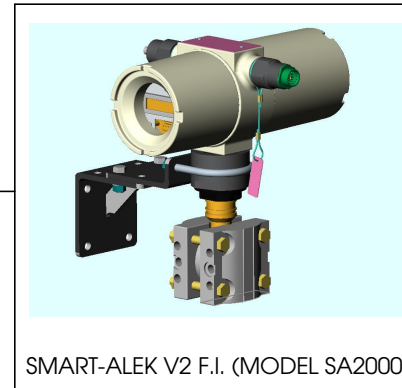
Class **MD** Type **SW** SHEET 4 OF 13

SIZE
B

CLASS I, DIV 2, Groups C & D



CLASS I, DIV 1, Groups C & D



- NOTES:
1. CSA APPROVAL MUST BE OBTAINED PRIOR TO DRAWING CHANGE WHICH IS NOTED IN THE COMMENTS FIELD OF THE DRAWING TITLE BLOCK.

PROPRIETARY AND CONFIDENTIAL

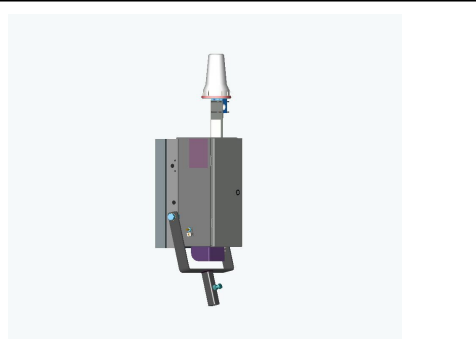
This document contains proprietary information. Disclosure in whole or part is strictly prohibited without prior written consent from Zedi Inc.

REV	Drawn by	Approved By	Date	Comments
7	I.LAKHANI	B.ZERB	2003-11-24	UPDATE PICTURES ON PAGES 7, 8 & 9
8	I.LAKHANI	I.LAKHANI	2005-03-03	ADD MODEL 621 SOLAR PANEL
9	I.LAKHANI	I.LAKHANI	2005-05-11	ADD MODEL 641 BARRIER ASSEMBLY
10	I.LAKHANI	I.LAKHANI	2005-07-05	ADD MODEL 622 SOLAR PANEL
11	EILEEN	LONG ZHAO	2005-09-01	ADD NuFlo MCIII EXP
12	J. DUAN	L. ZHAO	2007-02-13	ADD SENSOR MODEL 661

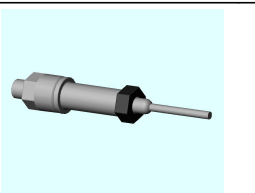
SIZE B	
Title: SMART-ALEK V2 F.I. INSTALLATION	
Desc: APPROVED HAZARDOUS LOCATION CONFIGURATIONS	
Number: 12397	REV 12
	
EDMONTON, CANADA	
Class MD	Type SW
SHEET 5 OF 13	

CLASS I, DIV 2, Groups C & D

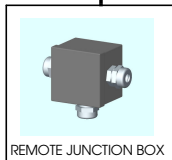
CLASS I, DIV 1, Groups C & D



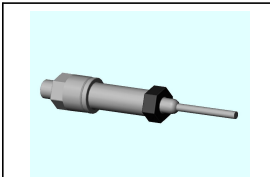
SOLAR PANEL (MODEL 620 OR 621 OR 622)
WITH SATELLITE MODEM ASSEMBLY (MODEL 630)
AND SATELLITE ANTENNA (MODEL 65X)
FOR DUAL 5 WATT SOLAR PANEL OPTION AND
EXTERNAL BATTERY OPTIONS SEE SHEET 8



INTRINSICALLY SAFE
RS 485 PRESSURE SENSOR
MODEL 660



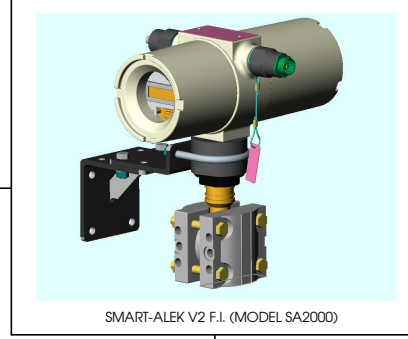
REMOTE JUNCTION BOX



INTRINSICALLY SAFE
RS 485 PRESSURE SENSOR
MODEL 660

NOTES:

1. CSA APPROVAL MUST BE OBTAINED PRIOR TO DRAWING CHANGE WHICH IS NOTED IN THE COMMENTS FIELD OF THE DRAWING TITLE BLOCK.
2. TYPICAL INSTALLATION WOULD HAVE ONE TO FOUR SENSORS.
3. FOR INFORMER+ IS CIRCUIT INFORMATION REFER TO POLARTEK DRAWING PT-XPIS-01.
4. FOR MCIII EXP IS CIRCUIT INFORMATION REFER TO NUFLO DRAWING 50053010.



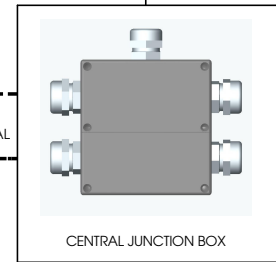
SMART-ALEK V2 F.I. (MODEL SA2000)

Output Entity Parameters:

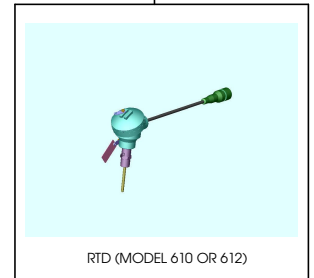
$V_{max} = 12V$
 $I_{max} = 1A$
 $C_i = 0\mu F$
 $L_i = 0\mu H$

RS485 $V_{oc} = 18.5V$
 $I_{sc} = 174mA$
 $C_a = 280nF$
 $L_a = 250\mu H$

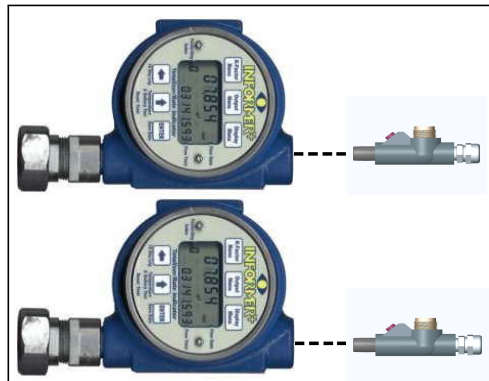
Pulse / Contact $V_{oc} = 18.5V$
 $I_{sc} = 21mA$
 $C_a = 280nF$
 $L_a = 250\mu H$



CENTRAL JUNCTION BOX



RTD (MODEL 610 OR 612)



PolarTek 2000 Informer+/NuFlo MCIII EXP
flow meters with IS barrier (Note 3 and 4)

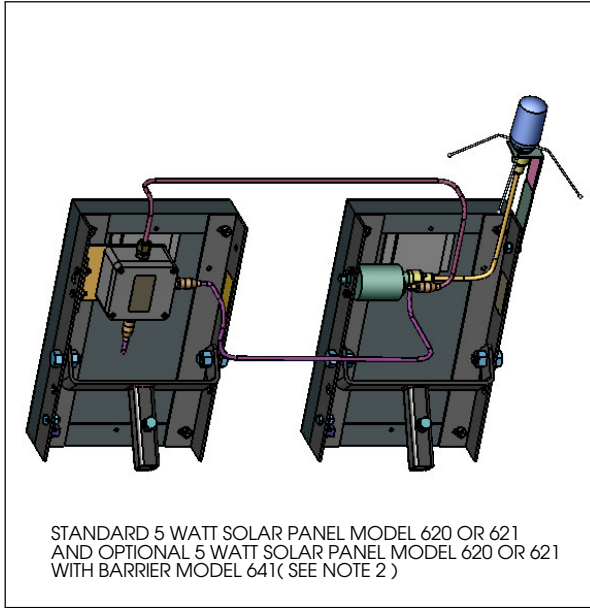
REV	Drawn by	Approved By	Date	Comments
7	I.LAKHANI	B.ZERB	2003-11-24	UPDATE PICTURES ON PAGES 7, 8 & 9
8	I.LAKHANI	I.LAKHANI	2005-03-03	ADD MODEL 621 SOLAR PANEL
9	I.LAKHANI	I.LAKHANI	2005-05-11	ADD MODEL 641 BARRIER ASSEMBLY
10	I.LAKHANI	I.LAKHANI	2005-07-05	ADD MODEL 622 SOLAR PANEL
11	EILEEN	LONG ZHAO	2005-09-01	ADD NuFlo MCIII EXP
12	J. DUAN	L. ZHAO	2007-02-13	ADD SENSOR MODEL 661

PROPRIETARY AND CONFIDENTIAL
This document contains proprietary information.
Disclosure in whole or part is strictly prohibited
without prior written consent from Zedi Inc.

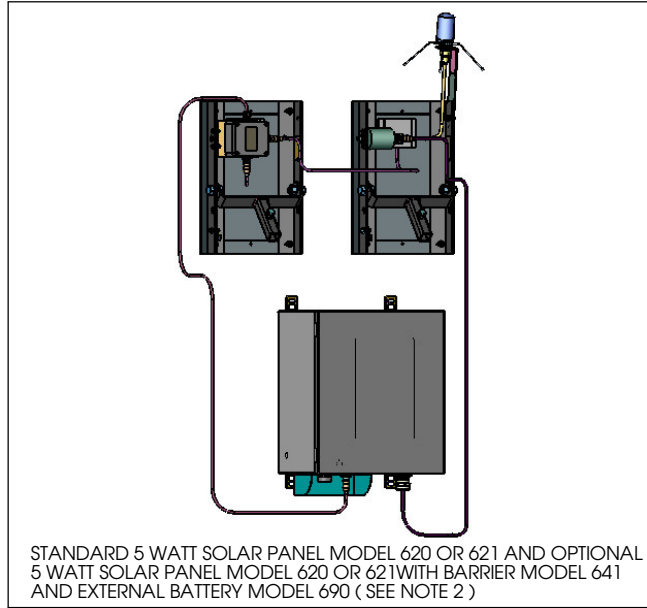
Title: SMART-ALEK V2 F.I. INSTALLATION		SIZE B
Desc: APPROVED HAZARDOUS LOCATION CONFIGURATIONS		
 EDMONTON, CANADA	Number: 12397	REV 12
	Class MD Type SW	SHEET 6 OF 13

CLASS I, DIV 2, Groups C & D

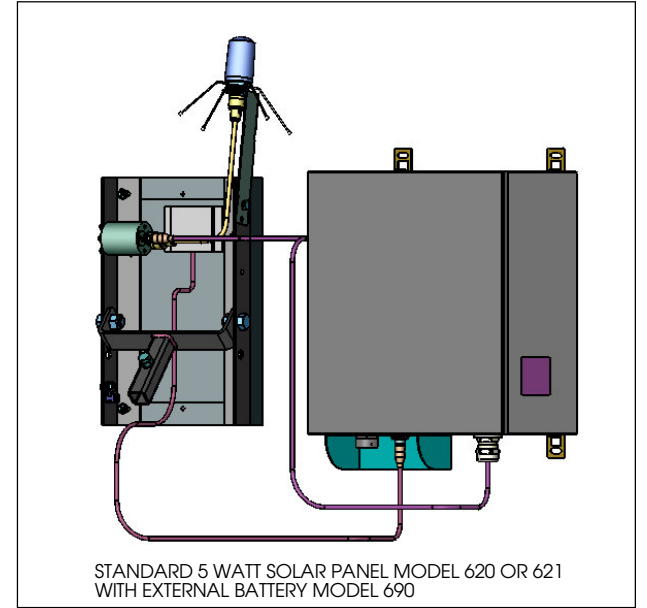
DUAL 5 WATT SOLAR PANEL OPTION CELLULAR



DUAL 5 WATT SOLAR PANEL WITH EXTERNAL BATTERY OPTION CELLULAR



5 WATT SOLAR PANEL WITH EXTERNAL BATTERY OPTION CELLULAR



TO SMART-ALEK MODEL SA2000

TO SMART-ALEK MODEL SA2000

TO SMART-ALEK MODEL SA2000

CLASS I, DIV 1, Groups C & D

NOTES:

1. CSA APPROVAL MUST BE OBTAINED PRIOR TO DRAWING CHANGE WHICH IS NOTED IN THE COMMENTS FIELD OF THE DRAWING TITLE BLOCK.
2. FOR DUAL 5 WATT SOLAR PANEL OPTION, ONLY USE TWO MODEL 620 OR TWO MODEL 621 PANELS TOGETHER, MAKE SURE THEY ARE FROM THE SAME MANUFACTURER WITH THE SAME PART NUMBER.

REV	Drawn by	Approved By	Date	Comments
7	I.LAKHANI	B.ZERB	2003-11-24	UPDATE PICTURES ON PAGES 7, 8 & 9
8	I.LAKHANI	I.LAKHANI	2005-03-03	ADD MODEL 621 SOLAR PANEL
9	I.LAKHANI	I.LAKHANI	2005-05-11	ADD MODEL 641 BARRIER ASSEMBLY
10	I.LAKHANI	I.LAKHANI	2005-07-05	ADD MODEL 622 SOLAR PANEL
11	EILEEN	LONG ZHAO	2005-09-01	ADD Nuflo MCIII EXP
12	EILEEN	L. ZHAO	2007-02-13	ADD SENSOR MODEL 661

PROPRIETARY AND CONFIDENTIAL

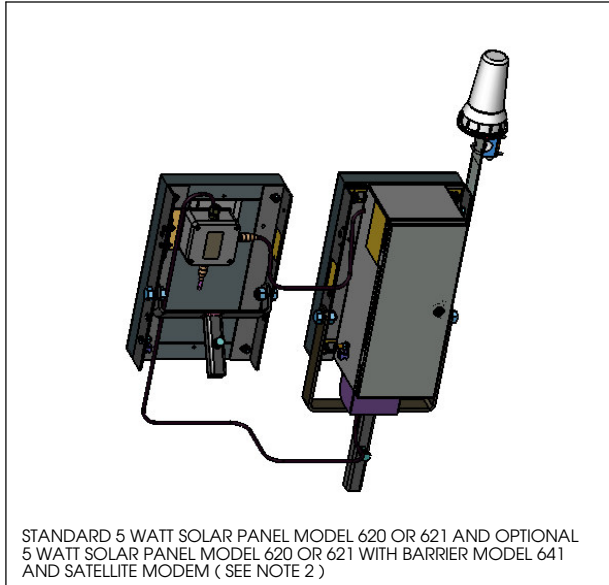
This document contains proprietary information. Disclosure in whole or part is strictly prohibited without prior written consent from Zedi Inc.

Title: SMART-ALEK V2 F.I. INSTALLATION		REV 12
Desc: APPROVED HAZARDOUS LOCATION CONFIGURATIONS		Number: 12397
 EDMONTON, CANADA		Class MD Type SW SHEET 7 OF 13

SIZE
B

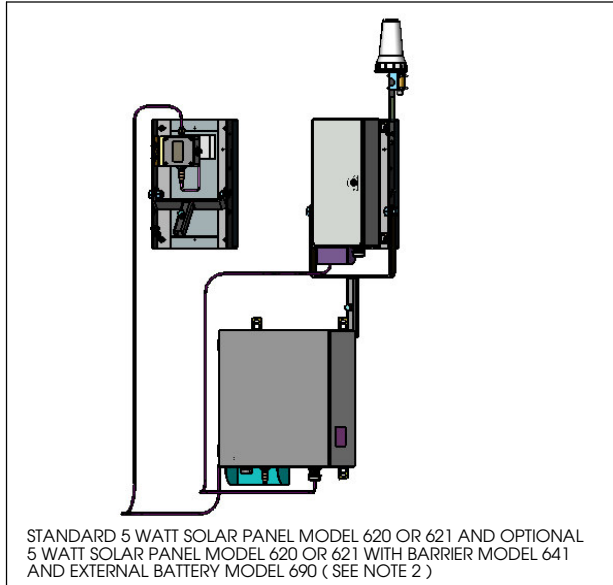
CLASS I, DIV 2, Groups C & D

DUAL 5 WATT SOLAR PANEL OPTION SATELLITE



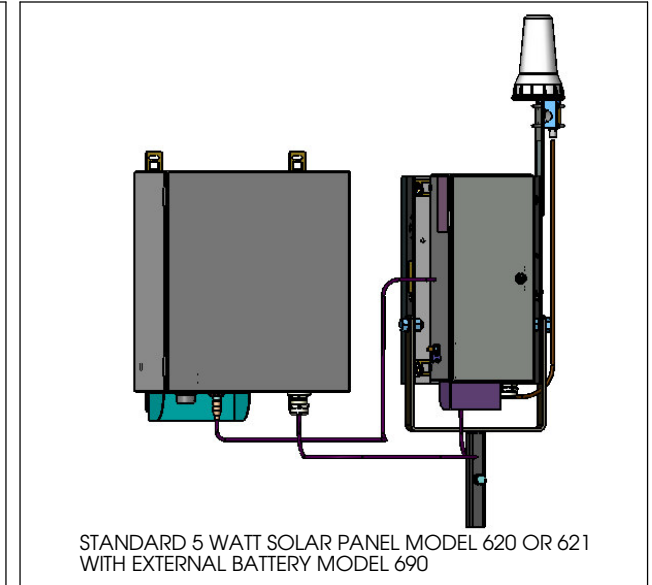
TO SMART-ALEK MODEL SA2000

DUAL 5 WATT SOLAR PANEL WITH EXTERNAL BATTERY OPTION SATELLITE



TO SMART-ALEK MODEL SA2000

5 WATT SOLAR PANEL WITH EXTERNAL BATTERY OPTION SATELLITE



TO SMART-ALEK MODEL SA2000

CLASS I, DIV 1, Groups C & D

NOTES:

1. CSA APPROVAL MUST BE OBTAINED PRIOR TO DRAWING CHANGE WHICH IS NOTED IN THE COMMENTS FIELD OF THE DRAWING TITLE BLOCK.
2. FOR DUAL 5 WATT SOLAR PANEL OPTION, ONLY USE TWO MODEL 620 OR TWO MODEL 621 PANELS TOGETHER. MAKE SURE THEY ARE FROM THE SAME MANUFACTURER WITH THE SAME PART NUMBER.

PROPRIETARY AND CONFIDENTIAL

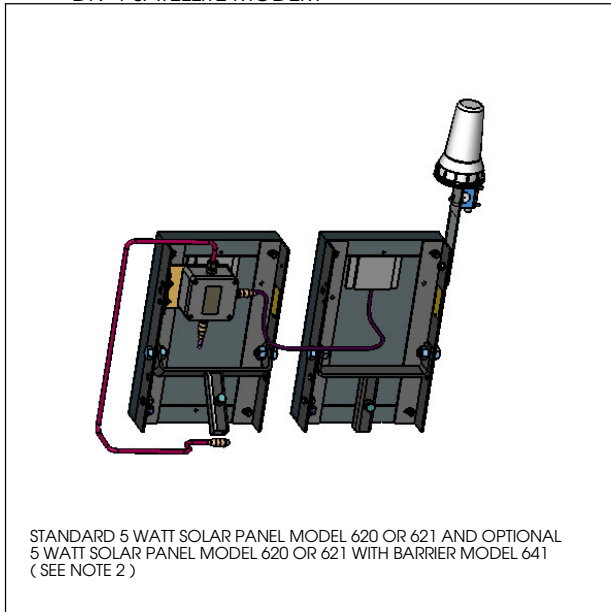
This document contains proprietary information. Disclosure in whole or part is strictly prohibited without prior written consent from Zedi Inc.

REV	Drawn by	Approved By	Date	Comments
7	I.LAKHANI	B.ZERB	2003-11-24	UPDATE PICTURES ON PAGES 7, 8 & 9
8	I.LAKHANI	I.LAKHANI	2005-03-03	ADD MODEL 621 SOLAR PANEL
9	I.LAKHANI	I.LAKHANI	2005-05-11	ADD MODEL 641 BARRIER ASSEMBLY
10	I.LAKHANI	I.LAKHANI	2005-07-05	ADD MODEL 622 SOLAR PANEL
11	EILEEN	LONG ZHAO	2005-09-01	ADD NUIFo MCIII EXP
12	J. DUAN	L. ZHAO	2007-02-13	ADD SENSOR MODEL 661

Title: SMART-ALEK V2 F.I. INSTALLATION		Size: B
Desc: APPROVED HAZARDOUS LOCATION CONFIGURATIONS		REV 12
 EDMONTON, CANADA	Number: 12397	Class: MD Type: SW
	SHEET 8 OF 13	

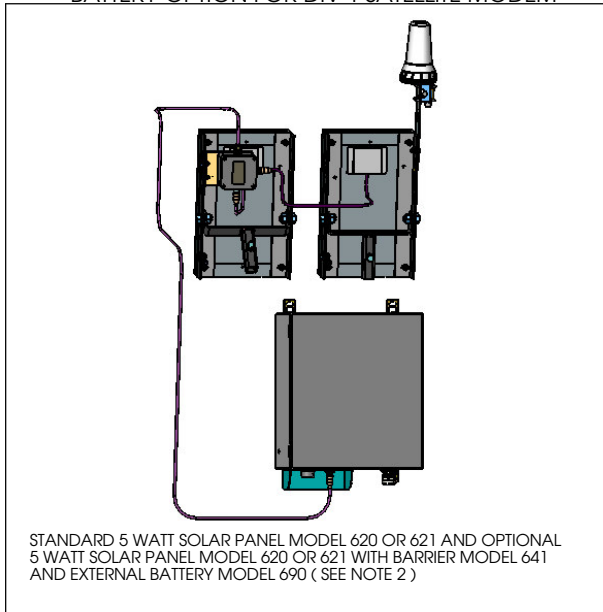
CLASS I, DIV 2, Groups C & D

DUAL 5 WATT SOLAR PANEL OPTION FOR DIV 1 SATELLITE MODEM



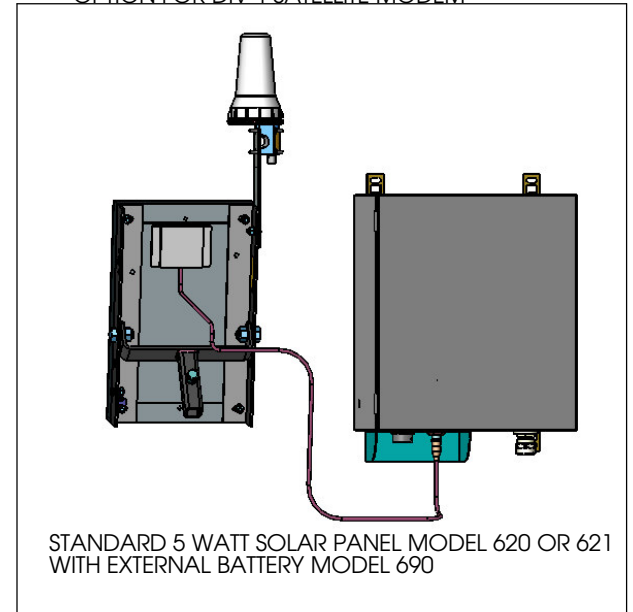
TO SATELLITE MODEM MODEL 631

DUAL 5 WATT SOLAR PANEL WITH EXTERNAL BATTERY OPTION FOR DIV 1 SATELLITE MODEM



TO SATELLITE MODEM MODEL 631

5 WATT SOLAR PANEL WITH EXTERNAL BATTERY OPTION FOR DIV 1 SATELLITE MODEM



TO SATELLITE MODEM MODEL 631

CLASS I, DIV 1, Groups C & D

NOTES:

1. CSA APPROVAL MUST BE OBTAINED PRIOR TO DRAWING CHANGE WHICH IS NOTED IN THE COMMENTS FIELD OF THE DRAWING TITLE BLOCK.
2. FOR DUAL 5 WATT SOLAR PANEL OPTION, ONLY USE TWO MODEL 620 OR TWO MODEL 621 PANELS TOGETHER, MAKE SURE THEY ARE FROM THE SAME MANUFACTURER WITH THE SAME PART NUMBER.

PROPRIETARY AND CONFIDENTIAL

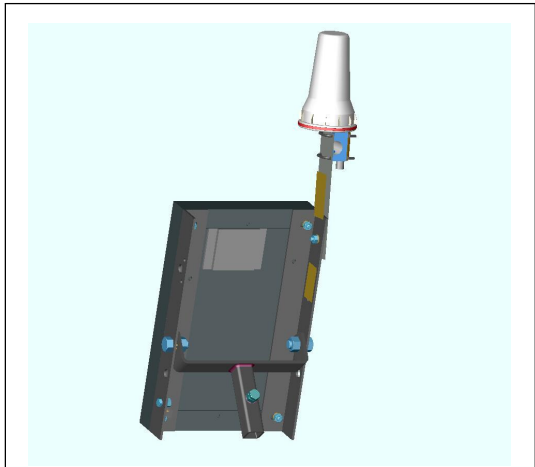
This document contains proprietary information. Disclosure in whole or part is strictly prohibited without prior written consent from Zedi Inc.

REV	Drawn by	Approved By	Date	Comments
7	I.LAKHANI	B.ZERB	2003-11-24	UPDATE PICTURES ON PAGES 7, 8 & 9
8	I.LAKHANI	I.LAKHANI	2005-03-03	ADD MODEL 621 SOLAR PANEL
9	I.LAKHANI	I.LAKHANI	2005-05-11	ADD MODEL 641 BARRIER ASSEMBLY
10	I.LAKHANI	I.LAKHANI	2005-07-05	ADD MODEL 622 SOLAR PANEL
11	EILEEN	LONG ZHAO	2005-09-01	ADD NuFlo MCIII EXP
12	J. DUAN	L. ZHAO	2007-02-13	ADD SENSOR MODEL 661

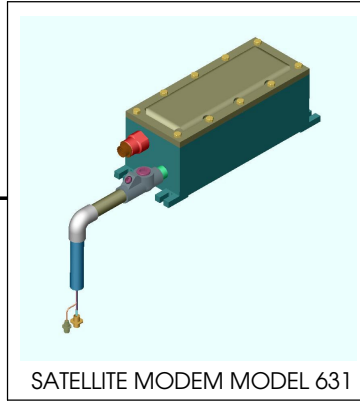
Title: SMART-ALEK V2 F.I. INSTALLATION		SIZE B
Desc: APPROVED HAZARDOUS LOCATION CONFIGURATIONS		REV 12
 EDMONTON, CANADA	Number: 12397	SHEET 9 OF 13
	Class MD Type SW	

CLASS I, DIV 2, Groups C & D

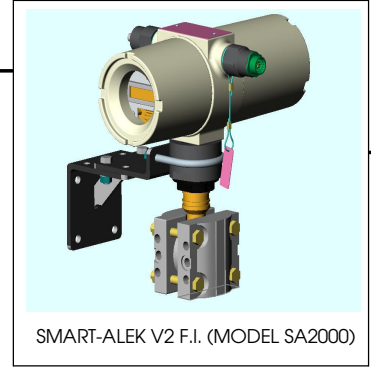
CLASS I, DIV 1, Groups C & D



SOLAR PANEL (MODEL 620 OR 621 OR 622)
WITH SATELLITE ANTENNA (MODEL 65X)
FOR DUAL 5 WATT SOLAR PANEL OPTION AND
EXTERNAL BATTERY OPTIONS SEE SHEET 9



SATELLITE MODEM MODEL 631



SMART-ALEK V2 F.I. (MODEL SA2000)



RTD (MODEL 610 OR 612)

- NOTES:
1. CSA APPROVAL MUST BE OBTAINED PRIOR TO DRAWING CHANGE WHICH IS NOTED IN THE COMMENTS FIELD OF THE DRAWING TITLE BLOCK.

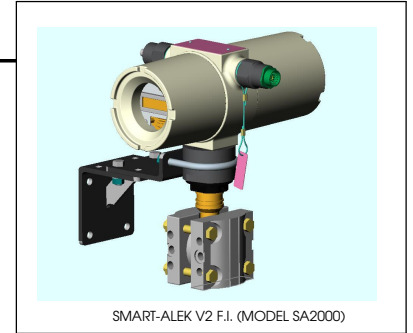
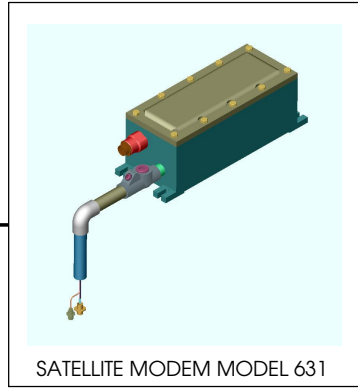
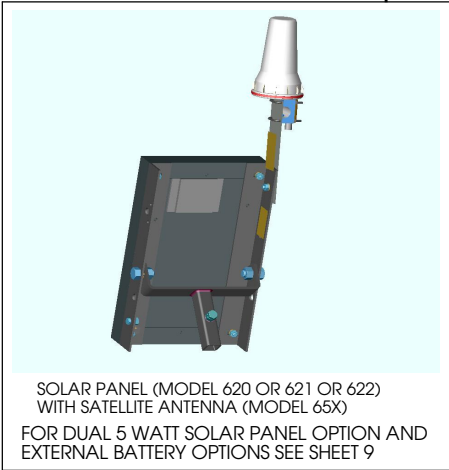
REV	Drawn by	Approved By	Date	Comments
7	I.LAKHANI	B.ZERB	2003-11-24	UPDATE PICTURES ON PAGES 7, 8 & 9
8	I.LAKHANI	I.LAKHANI	2005-03-03	ADD MODEL 621 SOLAR PANEL
9	I.LAKHANI	I.LAKHANI	2005-05-11	ADD MODEL 641 BARRIER ASSEMBLY
10	I.LAKHANI	I.LAKHANI	2005-07-05	ADD MODEL 622 SOLAR PANEL
11	EILEEN	LONG ZHAO	2005-09-01	ADD NuFlo MCIII EXP
12	J. DUAN	L. ZHAO	2007-02-13	ADD SENSOR MODEL 661

PROPRIETARY AND CONFIDENTIAL
This document contains proprietary information. Disclosure in whole or part is strictly prohibited without prior written consent from Zedi Inc.

SIZE B	
Title: SMART-ALEK V2 F.I. INSTALLATION	
Desc: APPROVED HAZARDOUS LOCATION CONFIGURATIONS	
zedi EDMONTON, CANADA	Number: 12397
	REV 12
Class MD	Type SW
SHEET 10 OF 13	

CLASS I, DIV 2, Groups C & D

CLASS I, DIV 1, Groups C & D



Output Entity Parameters:

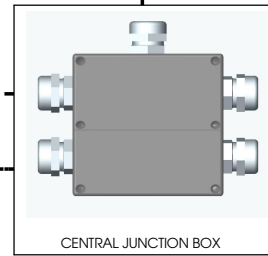
Vmax = 12V
Imax = 1A
Ci = 0uF
Li = 0uH

RS485 Voc = 18.5V
Isc = 174mA
Ca = 280nF
La = 250uH

Pulse / Contact Voc = 18.5V
Isc = 21mA
Ca = 280nF
La = 250uH

IS_DATA_A
IS_DATA_B
IS_+12V_RS485
GND

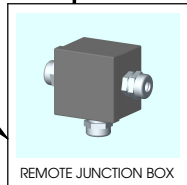
OPTIONAL
NOTE 2



IS_RTD_DRIVE
IS_RTD_TOP_SENSE
IS_RTD_BOTTOM_SENSE
IS_RTD_RETURN

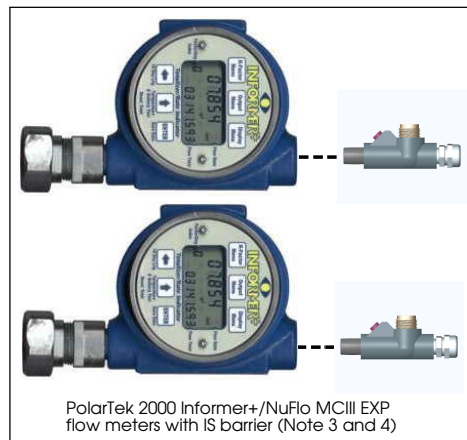


OPTIONAL
NOTE 2



12483-REMOTE JUNCTION BOX

OPTIONAL
NOTE 2

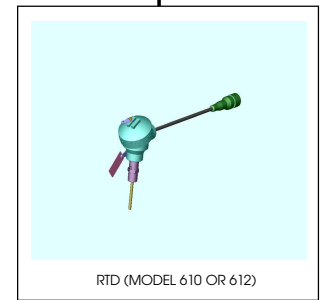


OPTIONAL
NOTE 2

IS_DATA_A (RS485 R/T -)
IS_DATA_B (RS485 R/T +)

IS_DATA_A (RS485 R/T -)
IS_DATA_B (RS485 R/T +)

OPTIONAL
NOTE 2



NOTES:

1. CSA APPROVAL MUST BE OBTAINED PRIOR TO DRAWING CHANGE WHICH IS NOTED IN THE COMMENTS FIELD OF THE DRAWING TITLE BLOCK.
2. TYPICAL INSTALLATION WOULD HAVE ONE TO FOUR SENSORS.
3. FOR INFORMER+ IS CIRCUIT INFORMATION REFER TO POLARTEK DRAWING PT-XPIS-01.
4. FOR MCIII EXP IS CIRCUIT INFORMATION REFER TO NUFLO DRAWING 50053010.

PROPRIETARY AND CONFIDENTIAL

This document contains proprietary information. Disclosure in whole or part is strictly prohibited without prior written consent from Zedi Inc.

REV	Drawn by	Approved By	Date	Comments
7	I.LAKHANI	B.ZERB	2003-11-24	UPDATE PICTURES ON PAGES 7, 8 & 9
8	I.LAKHANI	I.LAKHANI	2005-03-03	ADD MODEL 621 SOLAR PANEL
9	I.LAKHANI	I.LAKHANI	2005-05-11	ADD MODEL 641 BARRIER ASSEMBLY
10	I.LAKHANI	I.LAKHANI	2005-07-05	ADD MODEL 622 SOLAR PANEL
11	EILEEN	LONG ZHAO	2005-09-01	ADD NuFlo MCIII EXP
12	J. DUAN	L. ZHAO	2007-02-13	ADD SENSOR MODEL 661

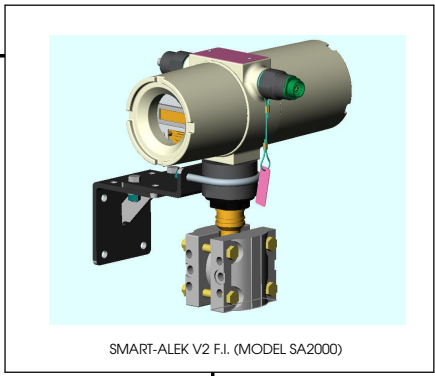
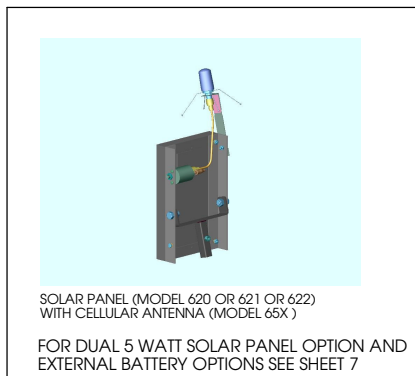
Title: SMART-ALEK V2 F.I. INSTALLATION		REV 12
Desc: APPROVED HAZARDOUS LOCATION CONFIGURATIONS		Number: 12397
 EDMONTON, CANADA		Class: MD Type: SW SHEET 11 OF 13

SIZE
B

A

CLASS I, DIV 2, Groups C & D

CLASS I, DIV 1, Groups C & D



Output Entity Parameters:

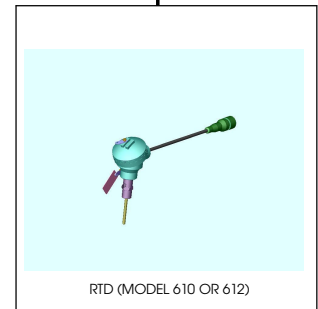
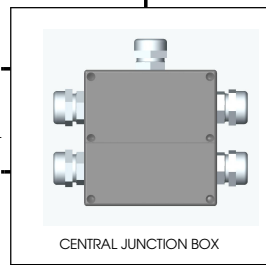
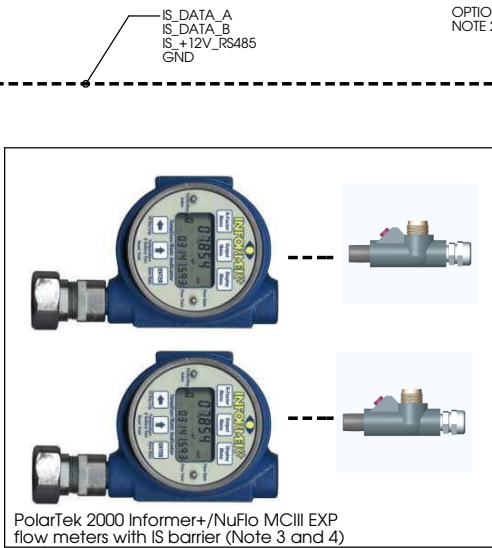
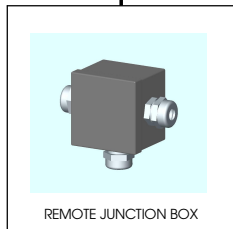
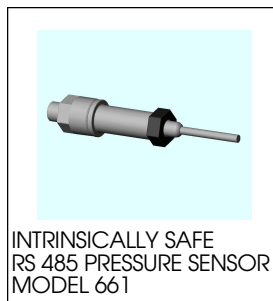
$V_{max} = 12V$
 $I_{max} = 1A$
 $C_i = 0\mu F$
 $L_i = 0\mu H$

RS485

$V_{oc} = 18.5V$
 $I_{sc} = 174mA$
 $C_a = 280nF$
 $L_a = 250\mu H$

Pulse / Contact

$V_{oc} = 18.5V$
 $I_{sc} = 21mA$
 $C_a = 280nF$
 $L_a = 250\mu H$



NOTES:

1. CSA APPROVAL MUST BE OBTAINED PRIOR TO DRAWING CHANGE WHICH IS NOTED IN THE COMMENTS FIELD OF THE DRAWING TITLE BLOCK.
2. TYPICAL INSTALLATION WOULD HAVE ONE TO FOUR SENSORS.
3. FOR INFORMER+ IS CIRCUIT INFORMATION REFER TO POLARTEK DRAWING PT-XPIS-01.
4. FOR MCIII EXP IS CIRCUIT INFORMATION REFER TO NUFLO DRAWING 50053010.

PROPRIETARY AND CONFIDENTIAL

This document contains proprietary information. Disclosure in whole or part is strictly prohibited without prior written consent from Zedi Inc.

REV	Drawn by	Approved By	Date	Comments
7	ILAKHANI	B.ZERB	2003-11-24	UPDATE PICTURES ON PAGES 7, 8 & 9
8	ILAKHANI	ILAKHANI	2005-03-03	ADD MODEL 621 SOLAR PANEL
9	ILAKHANI	ILAKHANI	2005-05-11	ADD MODEL 641 BARRIER ASSEMBLY
10	ILAKHANI	ILAKHANI	2005-07-05	ADD MODEL 622 SOLAR PANEL
11	EILEEN	LONG ZHAO	2005-09-01	ADD NuFlo MCIII EXP
12	J. DUAN	L. ZHAO	2007-02-13	ADD SENSOR MODEL 661

Title:
SMART-ALEK V2 F.I. INSTALLATION

Desc:
APPROVED HAZARDOUS LOCATION CONFIGURATIONS

Number:
12397

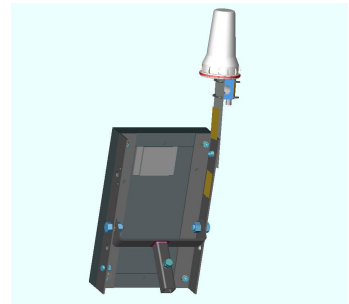
REV
12

zedi
EDMONTON, CANADA

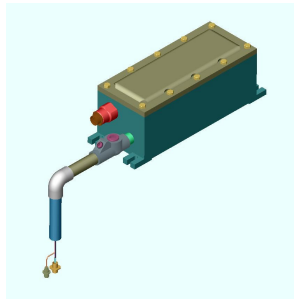
Class MD Type SW SHEET 12 OF 13

CLASS I, DIV 2, Groups C & D

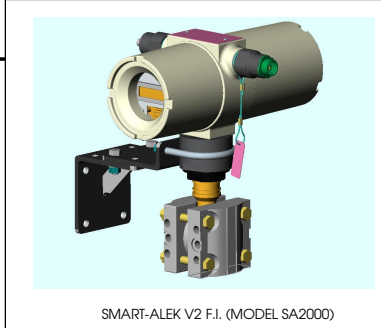
CLASS I, DIV 1, Groups C & D



SOLAR PANEL (MODEL 620 OR 621 OR 622) WITH SATELLITE ANTENNA (MODEL 65X)
FOR DUAL 5 WATT SOLAR PANEL OPTION AND EXTERNAL BATTERY OPTIONS SEE SHEET 9



SATELLITE MODEM MODEL 631



SMART-ALEK V2 F.I. (MODEL SA2000)

Output Entity Parameters:

V_{max} = 12V
I_{max} = 1A
C_i = 0uF
L_i = 0uH

RS485

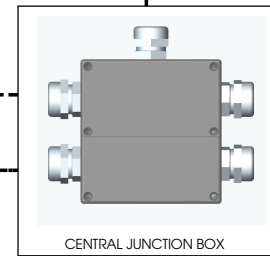
V_{oc} = 18.5V
I_{sc} = 174mA
C_a = 280nF
L_a = 250uH

Pulse / Contact

V_{oc} = 18.5V
I_{sc} = 21mA
C_a = 280nF
L_a = 250uH

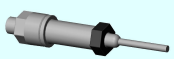
IS_DATA_A
IS_DATA_B
IS_+12V_RS485
GND

OPTIONAL NOTE 2



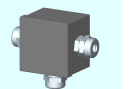
CENTRAL JUNCTION BOX

IS_RTD_DRIVE
IS_RTD_TOP_SENSE
IS_RTD_BOTTOM_SENSE
IS_RTD_RETURN



INTRINSICALLY SAFE RS 485 PRESSURE SENSOR MODEL 661

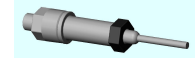
OPTIONAL NOTE 2



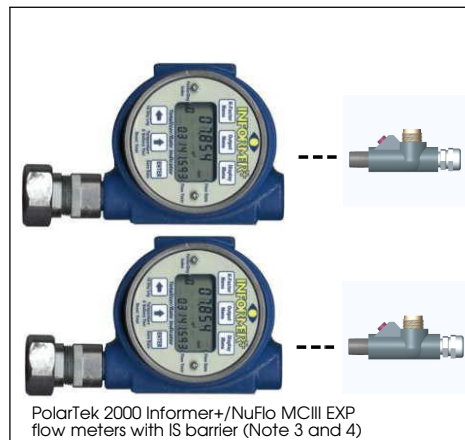
REMOTE JUNCTION BOX

12483-REMOTE JUNCTION BOX

OPTIONAL NOTE 2



INTRINSICALLY SAFE RS 485 PRESSURE SENSOR MODEL 661



PolarTek 2000 Informer+/NuFlo MCIII EXP flow meters with IS barrier (Note 3 and 4)

OPTIONAL NOTE 2

IS_DATA_A (RS485 R/T -)
IS_DATA_B (RS485 R/T +)

IS_DATA_A (RS485 R/T -)
IS_DATA_B (RS485 R/T +)

OPTIONAL NOTE 2

RTD (MODEL 610 OR 612)

NOTES:

1. CSA APPROVAL MUST BE OBTAINED PRIOR TO DRAWING CHANGE WHICH IS NOTED IN THE COMMENTS FIELD OF THE DRAWING TITLE BLOCK.
2. TYPICAL INSTALLATION WOULD HAVE ONE TO FOUR SENSORS.
3. FOR INFORMER+ IS CIRCUIT INFORMATION REFER TO POLARTEK DRAWING PT-XPIS-01.
4. FOR MCIII EXP IS CIRCUIT INFORMATION REFER TO NUFLO DRAWING 50053010.

PROPRIETARY AND CONFIDENTIAL

This document contains proprietary information. Disclosure in whole or part is strictly prohibited without prior written consent from Zedi Inc.

REV	Drawn by	Approved By	Date	Comments
7	I.LAKHANI	B.ZERB	2003-11-24	UPDATE PICTURES ON PAGES 7, 8 & 9
8	I.LAKHANI	I.LAKHANI	2005-03-03	ADD MODEL 621 SOLAR PANEL
9	I.LAKHANI	I.LAKHANI	2005-05-11	ADD MODEL 641 BARRIER ASSEMBLY
10	I.LAKHANI	I.LAKHANI	2005-07-05	ADD MODEL 622 SOLAR PANEL
11	EILEEN	LONG ZHAO	2005-09-01	ADD NUFLO MCIII EXP
12	J. DUAN	L. ZHAO	2007-02-13	ADD SENSOR MODEL 661

Title: SMART-ALEK V2 F.I. INSTALLATION		REV 12
Desc: APPROVED HAZARDOUS LOCATION CONFIGURATIONS		Number: 12397
zedi EDMONTON, CANADA	Class MD	Type SW
	SHEET 13 OF 13	

SIZE
B

A